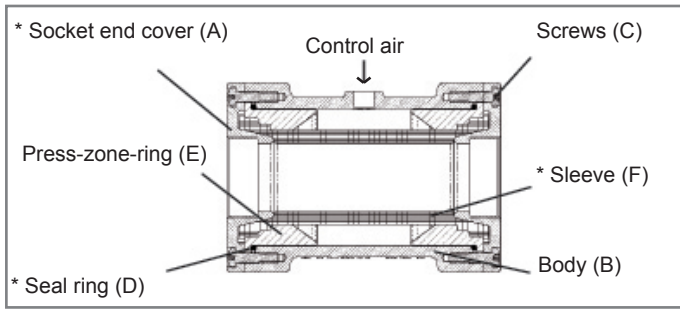


Assembly Instruction for AKO Pinch Valve

Series VMP DN 10 to 50 mm



Removing the old sleeve

Position the valve with screws (C) at the top and hold it from the side tightly. Unscrew the screws with a ratchet (Bit-Torque 30). To avoid tension on the valve, ensure loosening of the screws from adjacent sides, then turn the valve through 180 degrees and unscrew the other screws in the same way. Afterwards remove both socket end covers (A) from the body (B) unit, if necessary use a slot screwdriver (4,5mm wide). Now push the old sleeve (F) out of the body (B) through the press-zone-rings (E), this can be made easier by using the AKO-mounting paste (MP200) in-between the sleeve (F) and the press-zone-rings (E). Now clean all single valve parts and check them for damage, particularly the seal rings (D) and the socket end covers (E) for wear, and if necessary replace them.

-The Body (B) should be replaced after the re-sleeving process has occurred twice-

Installation of the new sleeve

Picture 1: Put the seal ring (D) over the press-zone-ring (E) up to the destined channel, repeat with second press-zone-ring (E) and seal ring (D).

Picture 2: Now insert both press-zone-rings (E) with seal rings (B) into the body (B).

Picture 3: Lubricate one end of the sleeve (F) with some AKO-mounting paste (MP200). Then push this side of the sleeve (F) through the first press-zone-ring (E) into the body, (B) so that the sleeve (F) abuts the second press-zone-ring (E).

Picture 4: Lubricate both inside ends of the sleeve (F) and the cone surface of the socket end cover (A) with some AKO-mounting paste (MP200).

Picture 5: Position the valve with one hand and hold it tightly from the side, then place the socket end cover (A) with the other hand by slightly angling one side into the sleeve (F) and push the socket end cover (A) in.

Picture 6: Now adjust the screw holes of the socket end cover (A) so they are aligned with the holes of the body (B), then insert the screws (C) with the other hand into the holes.

Picture 7: Keep the socket end cover (A) compressed, and tighten the screws with the ratchet until the socket end cover (A) is completely flush with the body (B).

Picture 8: Then turn the valve through 180 degrees and position it again ready for assembling.

Picture 9: Now mount the second socket end cover (A) the same way as described (pictures 4-7). Caution! Do not over tighten (maximum torque 4,5 Newton meter), do not exceed.

Picture 10: Finished + completed re-sleeve of VMP valve.

***Replacement / Maintenance parts:** Sleeve (F), seal ring (D), socket end cover (A) and Body (B).

Assembly tool: AKO mounting paste MP200.



Picture 1



Picture 2



Picture 3



Picture 4



Picture 5



Picture 6



Picture 7



Picture 8



Picture 9



Picture 10

Technical details subject to change without notice.

AKO UK Ltd

12 Rutherford Way, Drayton Fields Industrial Estate, Daventry, Northamptonshire, NN11 8XW

Tel: 01327 312 747 • Fax: 01327 312 565 • E-mail: sales@ako-valves.com • Web: www.pinch-valves.com