


Mechanical Pinch Valve Type VZ



 The developed hose pinch valve with true-clear bore is used for shutting off abrasive, fibrous, porous and viscous media, such as granules, sludge and suspensions.



Thanks to its closed construction, the valve ensures the maximum possible reliability during operation. The set positions can be optionally checked by means of mechanical or electrical position displays.

Two operating variants are available:

- Manual operation by handwheel
- Electro-mechanical rotary actuator (setting or regulating actuator)

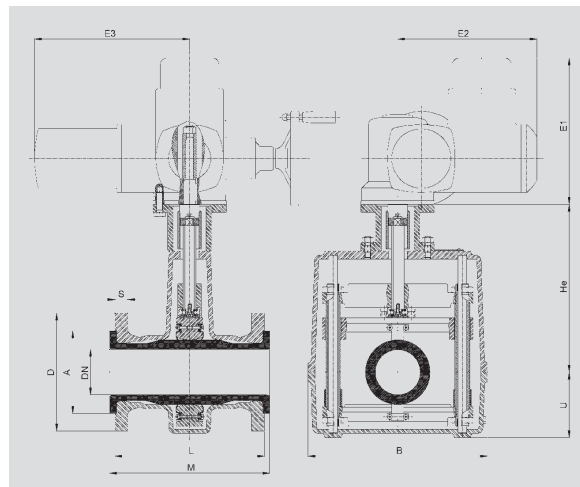
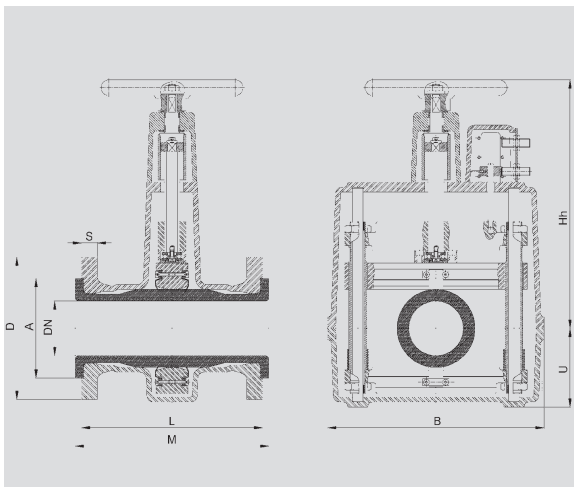
Safety design:

- no up and down movements of drive during valve operation
- internal moving parts are fully enclosed with no movement on the outside of the valve
- enclosed body

The special fabric-reinforced sleeve with positive opening straps ensures long working life and precise control.

Various sleeve materials are available - we will be glad to advise you.


Manual operation

Electro-mechanical operation


dimensions												
DN (ø mm)	A (ø mm)	B (mm)	D (ø mm)	E1 (mm)	E2 (mm)	E3 (mm)	He (mm)	Hh (mm)	L (mm)	M (mm)	U (mm)	S (mm)
80	135	310	205	270	240	265	285	350	255	267	110	21

flange connection				operating pressure		weight	
drilling template		bolt circle		max bar	handwheel	electr. actuator (without actuator)	
(stk)	mm	DIN PN10/16 (ø mm)	ANSI 150 (ø mm)		kg	kg	
4	18	160	152,4	6	19	18	

Industrial areas:

- Pneumatic conveying systems
- Cement/silo branch
- Pigments and granulates
- Ceramic/glass/plastic industry
- Sewage water industry
- Marble and granite industry
- Tanneries
- Extraction systems
- Power stations

Technical details subject to change without notice.

AKO UK Ltd

 12 Rutherford Way, Drayton Fields Industrial Estate, Daventry, Northamptonshire, NN11 8XW
 Tel: 01327 312 747 • Fax: 01327 312 565 • E-mail: sales@ako-valves.com • Web: www.pinch-valves.com